

SECO PRINT PRESSURE/VACUUM PUMPS



MODEL DC

DESCRIPTION

Busch Model DC Seco Print pumps are combination vacuum pumps and pressure blowers. They are 100% oil-free which makes them ideal for applications in the printing industry as well as other related industries. The Seco Print pumps use Busch's unique carbon composite vanes which are self-lubricating, dry running, and have a longer life than most other designs available today. The vanes are also self adjusting throughout the life of the pump ensuring maximum efficiency at all times.

The Busch Seco Print pumps feature separate vacuum and pressure inlet filters and relief valves. Other features include a discharge dust filter, after cooler for cooler discharge air, vibration isolators, and sealed-for-life bearings.

The Seco Print pumps can operate simultaneously as a vacuum pump from 0 to 18" Hg and as a pressure blower from 0 to 9 psig.

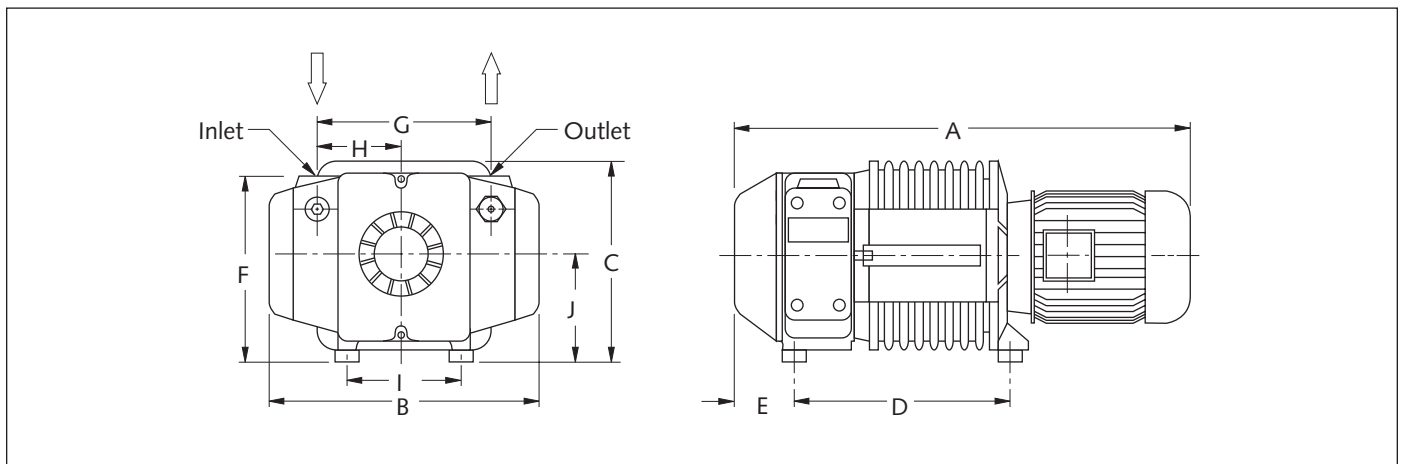


Model DC0140

FEATURES

- Easy to install
- 100% oil-free air
- Extra long-life composite vanes
- Self adjusting vanes for maximum efficiency
- Inlet and discharge air filters
- Air-cooled aftercooler
- Vacuum and pressure relief valves
- Vibration isolators

DIMENSIONAL DATA

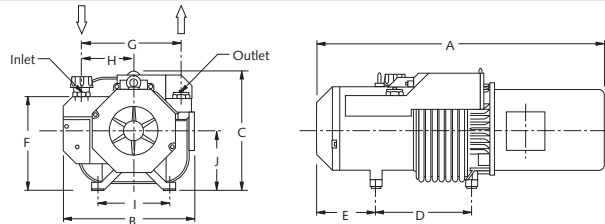


Dimensions (inches)	A	B	C	D	E	F	G	H	I	J	Inlet (NPT)	Outlet (NPT)
DC0025	24 ¹ / ₈	15 ³ / ₈	10 ⁵ / ₈	11 ³ / ₁₆	3	9 ³ / ₄	9 ¹ / ₁₆	4 ¹ / ₂	5 ⁷ / ₈	5 ⁵ / ₈	3/4	3/4
DC0040	27	15 ³ / ₈	10 ⁵ / ₈	13 ⁵ / ₁₆	3	9 ³ / ₄	9 ¹ / ₁₆	4 ¹ / ₂	5 ⁷ / ₈	5 ⁵ / ₈	3/4	3/4
DC0063	29 ³ / ₈	17 ⁵ / ₁₆	13 ³ / ₁₆	13 ³ / ₄	3 ¹ / ₈	11 ⁵ / ₈	9 ⁷ / ₁₆	4 ¹³ / ₁₆	9 ⁷ / ₈	7 ¹ / ₁₆	1	1
DC0080	30 ¹ / ₈	17 ⁵ / ₁₆	13 ³ / ₁₆	15 ³ / ₈	3 ¹ / ₂	11 ⁵ / ₈	9 ⁷ / ₁₆	4 ¹³ / ₁₆	9 ⁷ / ₈	7 ¹ / ₁₆	1	1

SECO PRINT PRESSURE/VACUUM PUMPS



MODEL DC



Dimensions (inches)	A	B	C	D	E	F	G	H	I	J	Inlet (NPT)	Outlet (NPT)
DC0100	35 ⁵ / ₈	14 ³ / ₁₆	13 ³ / ₄	12 ¹ / ₄	7 ⁵ / ₁₆	11 ¹ / ₁₆	10 ¹ / ₄	5 ¹ / ₈	9 ¹ / ₂	7 ¹ / ₈	1 ¹ / ₄	1 ¹ / ₄
DC0140	38 ⁵ / ₁₆	16 ⁹ / ₁₆	14 ⁵ / ₈	12 ¹ / ₄	7 ¹¹ / ₁₆	11 ⁷ / ₈	12 ¹³ / ₁₆	6 ³ / ₄	9 ¹ / ₂	7 ⁹ / ₁₆	1 ¹ / ₂	1 ¹ / ₂

PERFORMANCE CHARTS (Based on 60 cycle motor)

DC0025

Capacity (ACFM) CFM*	Suction side	19.6	17.6	15.3	13.8	11.9	19.3	17.4	15.0	13.5	11.8	19.2	16.9	14.2	12.8	11.0	18.4	16.2	13.6	12.2	10.3			
	Discharge side	19.1	17.0	14.9	13.6	12.0	19.1	16.5	14.1	12.9	11.7	18.7	15.7	13.3	12.2	11.0	17.6	14.4	12.3	11.2	10.0			
Pressure (Hg) PSIG	Suction side	0	6	12	15	18	0	6	12	15	18	0	6	12	15	18	0	6	12	15	18			
	Discharge side	0						3						6						9				
Motor rating	kw	1.7																						

DC0040

Capacity (ACFM) CFM*	Suction side	30.6	27.7	24.5	22.7	20.4	30.2	27.1	23.5	21.4	18.9	29.3	26.1	22.6	20.5	18.0	28.3	25.7	22.3	20.2	16.9			
	Discharge side	30.9	27.0	22.5	20.0	17.4	30.1	26.1	21.5	19.0	16.3	29.0	25.2	20.4	18.1	15.3	27.7	24.2	19.6	17.1	14.2			
Pressure (Hg) PSIG	Suction side	0	6	12	15	18	0	6	12	15	18	0	6	12	15	18	0	6	12	15	18			
	Discharge side	0						3						6						9				
Motor rating	kw	2.2																						

DC0063

Capacity (ACFM) CFM*	Suction side	40.9	37.4	33.4	31.0	28.0	39.1	35.9	32.2	29.9	27.0	38.6	35.2	31.2	28.8	25.8	37.7	34.0	29.6	26.8	23.1			
	Discharge side	41.8	36.8	32.2	28.7	26.1	39.9	35.4	30.4	26.9	24.6	38.0	34.0	28.6	25.1	23.1	36.0	32.6	26.8	23.3	21.5			
Pressure (Hg) PSIG	Suction side	0	6	12	15	18	0	6	12	15	18	0	6	12	15	18	0	6	12	15	18			
	Discharge side	0						3						6						9				
Motor rating	kw	3																						

DC0080

Capacity (ACFM) CFM*	Suction side	51.2	48.0	44.4	42.2	39.5	50.0	47.1	43.6	41.5	38.8	48.2	45.4	41.9	39.6	36.6	47.5	44.2	40.2	37.5	34.0			
	Discharge side	51.4	46.1	41.0	36.1	32.3	50.5	44.8	39.7	35.7	32.0	49.2	43.4	38.3	34.5	30.5	47.6	41.6	36.9	33.0	28.2			
Pressure (Hg) PSIG	Suction side	0	6	12	15	18	0	6	12	15	18	0	6	12	15	18	0	6	12	15	18			
	Discharge side	0						3						6						9				
Motor rating	kw	4																						

DC0100

Capacity (ACFM) CFM*	Suction side	67.7	63.4	58.2	55.5	52.1	66.1	62.2	57.2	54.6	51.2	63.7	59.9	54.9	52.1	48.3	62.8	58.4	52.7	49.3	44.9			
	Discharge side	67.9	60.9	53.7	47.5	44.6	66.8	59.2	52.1	46.9	42.2	65.0	57.2	50.2	45.4	40.3	62.9	54.9	48.4	43.4	37.2			
Pressure (Hg) PSIG	Suction side	0	6	12	15	18	0	6	12	15	18	0	6	12	15	18	0	6	12	15	18			
	Discharge side	0						3						6						9				
Motor rating	kw	5.5																						

DC0140

Capacity (ACFM) CFM*	Suction side	89.8	84.1	77.2	73.6	69.1	87.7	82.5	75.8	72.3	67.9	84.5	79.6	72.9	69.0	64.1	83.3	77.5	69.9	65.4	59.5			
	Discharge side	90.2	80.8	71.3	62.9	56.5	88.6	78.5	69.0	62.2	56.0	86.3	76.1	66.6	60.1	53.4	83.5	72.9	64.2	57.5	49.4			
Pressure (Hg) PSIG	Suction side	0	6	12	15	18	0	6	12	15	18	0	6	12	15	18	0	6	12	15	18			
	Discharge side	0						3						6						9				
Motor rating	kw	7.5																						

*CFM, free air at 14.7 PSIA, 68°F, 36% R.H.

Busch, Inc.

516 Viking Drive
Virginia Beach, VA 23452
Phone (757) 463-7800
FAX (757) 463-7407
www.buschpump.com

For more information call
1-800-USA-PUMP

ISO 9001 Registered Company

Holland, Spain, Switzerland, Sweden, Turkey, Denmark, England, Australia, Italy, France, China, Germany, Taiwan, Japan, Austria, Canada

Models and specifications are subject to change without notice.

Seco Print-09-04/02-1M